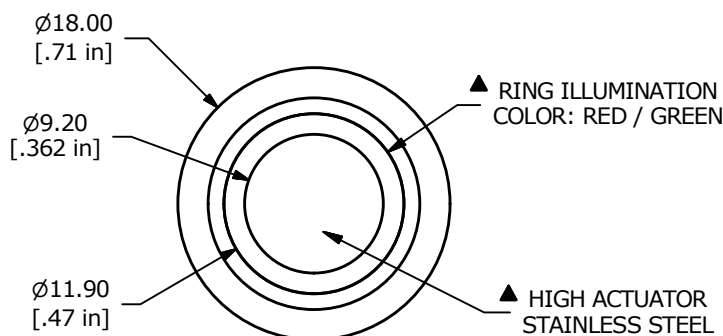
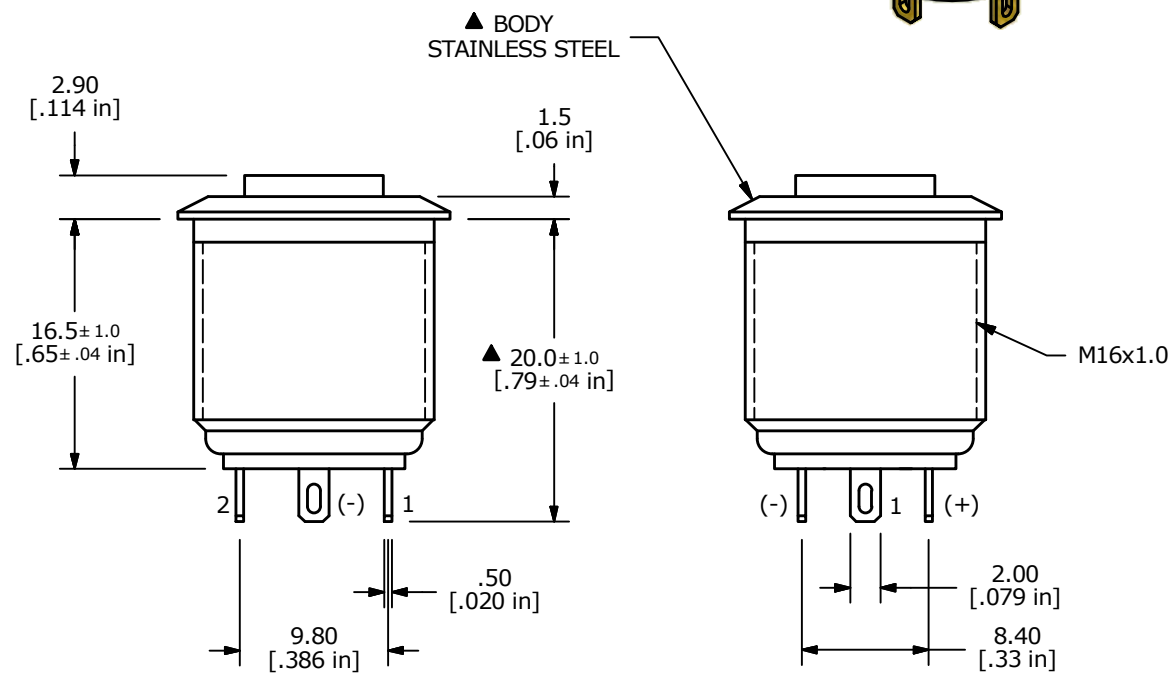
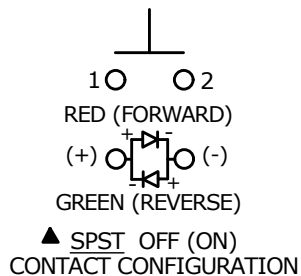


PANEL CUTOUT
MAX. PANEL THICKNESS
10.0mm [.315 in]



SWITCH FUNCTION	
POS. 1	POS. 2
OFF	(ON)
OPEN	1-2

(ON) = MOMENTARY



- NOTE:
- ALL DIMENSIONS IN MM [INCH]
 - GENERAL TOLERANCE: X.X = ±0.4
X.XX = ±0.25
 - TERMINAL NUMBERS FOR REF ONLY
 - CONTACT MATERIAL: SILVER
 - RATING: 2A 48VDC
 - ELECTRIC LIFE: 50,000 MAKE-AND-BREAK CYCLES AT FULL LOAD.
 - INSULATION RESISTANCE: 1,000MΩ MIN.
 - DIELECTRIC STRENGTH: 2,000VAC MIN. FOR 1 MINUTE
 - CONTACT RESISTANCE: 50mΩ MAX. @ 1A 12VDC
 - OPERATING TEMP.: -20°C to 55°C
 - TRAVEL: 1.8mm
 - ▲ DENOTES CRITICAL PARAMETER.
 - HARDWARE SUPPLIED: O-RING AND HEXNUT (NOT SHOWN)
 - ILLUMINATION VOLTAGE RATING: 1.8V (FORWARD), 2.8 (REVERSE)
 - 2002/95/EC (ROHS) COMPLIANT



A	22165	RELEASE FOR PRODUCTION	2/19/16	MW
REV	PCR NO	DESCRIPTION	DATE	BY

TITLE PV6H240SS-3G1				
SCALE 2:1	DATE 2/19/2016	DR MW	DWG 52-PV6H240SS3G1	REV A

THE INFORMATION CONTAINED IN THIS DOCUMENT IS PROPRIETARY TO E-SWITCH AND IS NOT TO BE COPIED OR TRANSFERRED